

DISASSEMBLY

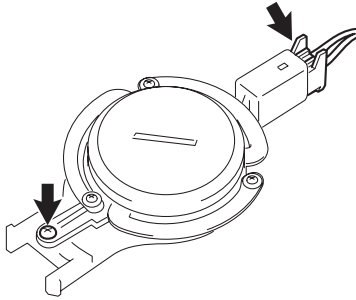
1. REMOVE ROOF SPEAKER ASSEMBLY

HINT:

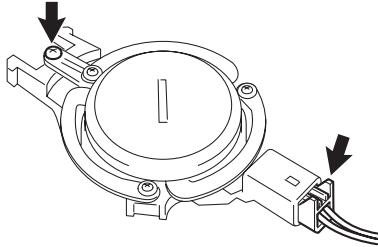
Use the same procedure for both sides.

- (a) Disconnect the speaker connector.
- (b) Loosen the screw.

for RH Side:



for LH Side:

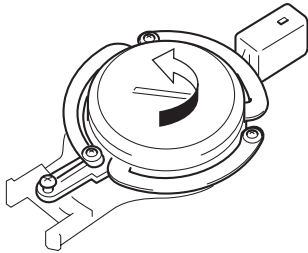


Y

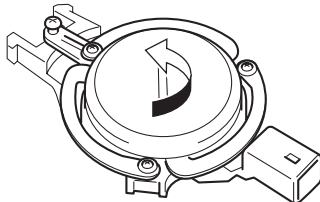
B135049E01

- (c) Remove the roof speaker by turning it in the direction of the arrow shown in the illustration.

for RH Side:



for LH Side:

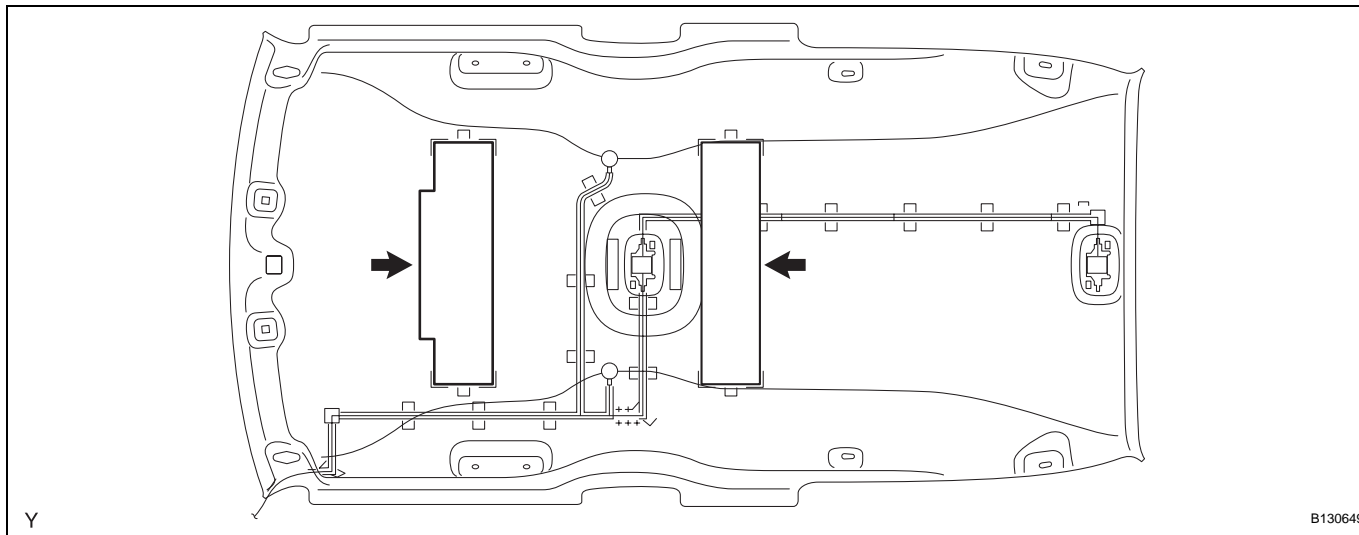


Y

B138632E01

2. REMOVE ROOF SILENCER PAD

(a) Remove the 2 roof silencer pads.



3. REMOVE ROOF WIRE

(a) Remove the roof wire.

